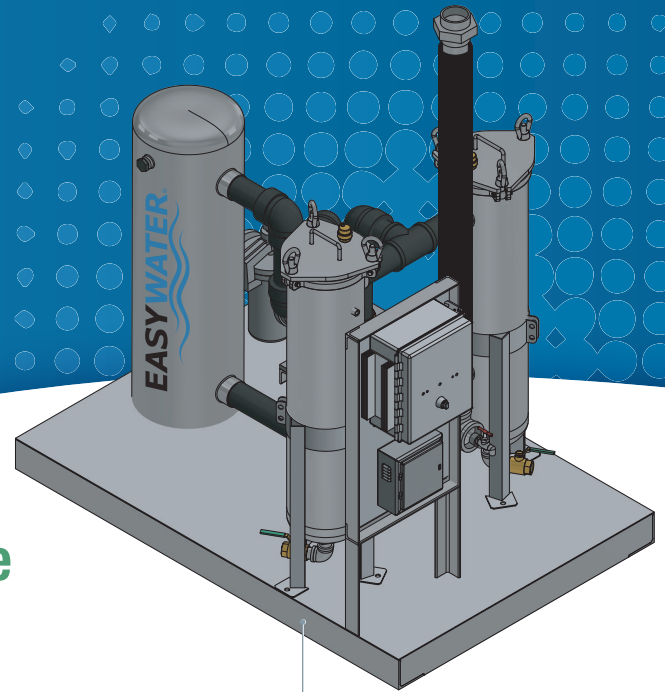


# Series C

## CLOSED LOOP TREATMENT SYSTEM

Glycol & Other Non-Backwashing Applications



**Skid-Mounted Series C**  
Also see individual components  
option on next page

## Finally, an effective and chemical-free solution for treating closed loops

### The 3 Major Problems in Closed Loops:

- 1 Corrosion caused by dissolved oxygen
- 2 Sediment and sub-micron metal particles in the water
- 3 Insulating high iron content, limescale and biofilm deposits

### How Series C Solves the 3 Major Problems in Closed Loops:

#### DISSOLVED OXYGEN REMOVAL MEDIA

- ▶ Eliminates the need for chemical in all closed loops
- ▶ Greatly outperforms chemical treatment
- ▶ Results in extremely low corrosion rates
- ▶ Eliminates the bacterial food source caused by chemical
- ▶ Minimizes the threat of aerobic bacteria growth, which requires oxygen to live
- ▶ Eliminates the need for pH adjusting chemicals

#### NO-SALT CONDITIONER

- ▶ Helps remove existing deposits while keeping new deposits from forming
- ▶ Breaks down the cell wall of bacteria
- ▶ Causes flocculation of particles, increasing filtration effectiveness

#### SUB-MICRON FILTRATION

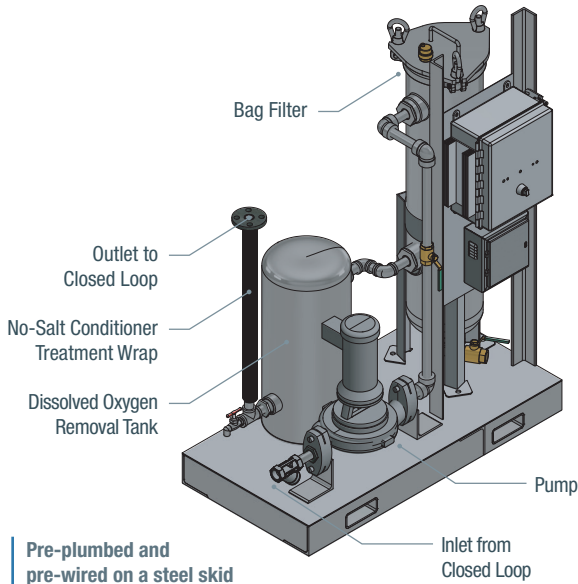
- ▶ Filtering to sub-micron levels is highly effective, as filtration tests show that the very fine metal or magnetite particles in most closed loops are below 1 micron in size
- ▶ Sub-micron filtration helps filter bacteria from the closed loop water
- ▶ Removing sediment to such fine levels helps minimize erosion of pump seals and impellers

*“ The most noticeable benefit we saw was the reduced number of service calls over the winter. We saw an 80% reduction. ”*

— Tim Kallio WL-10, USAF 28th Civil Engineer, Ellsworth Air Force Base South Dakota

# MANUFACTURING OPTIONS & SIZING

## SKID-MOUNTED



Pre-plumbed and pre-wired on a steel skid

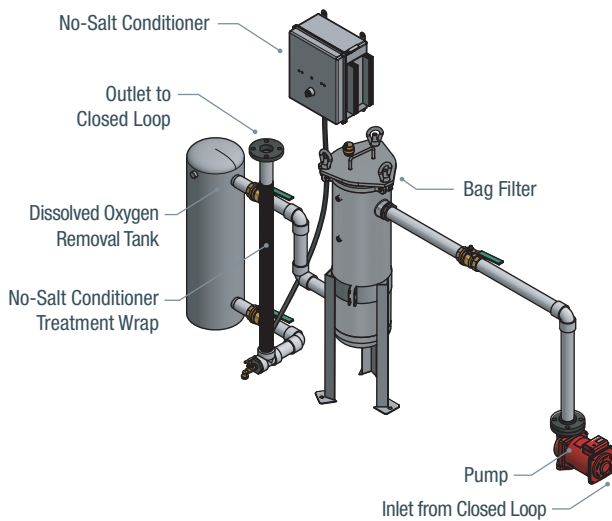
Model #	Max System Gals <sup>1</sup>	Steel DO Removal Tank Dim	Qty of Stainless Bag Filters <sup>2</sup>	Sidestream GPM
CLG-1000-S	4,000	8" x 20"	1	12
CLG-2000-S	10,000	8" x 30"	1	25
CLG-3000-S	25,000	8" x 40"	1	50
CLG-4000-S	45,000	10" x 40"	2	75
CLG-5000-S	70,000	12" x 40"	2	100
CLG-6000-S	120,000	14" x 40"	2	150
CLG-7000-S	150,000	18" x 48"	3	185
CLG-8000-S	200,000	18" x 48"	3	235
CLG-9000-S	300,000	24" x 60"	3	300
CLG-10000-S	375,000	24" x 60"	4	360
CLG-11000-S	440,000	30" x 65"	4	425
CLG-12000-S	500,000	30" x 65"	6	500
CLG-13000-S	600,000	36" x 65"	6	600

Options such as stainless tanks, piping and skids along with dual pumps and various control options are available upon request. Contact EasyWater or local rep for more information.

<sup>1</sup> Total volume of water in the closed loop

<sup>2</sup> Bag filters for all skid-mounted models are 12"x40" stainless steel housings that hold 8"x30" bags for sediment and bacteria removal

## INDIVIDUAL COMPONENTS



Individual components are plumbed and wired on site

Model #	Max System Gals <sup>1</sup>	Steel DO Removal Tank Dim	Qty of Stainless Bag Filters <sup>2</sup>	Sidestream GPM
CLG-500 <sup>3</sup>	1,000	8" x 15"	1	5
CLG-1000	4,000	8" x 20"	1	12
CLG-2000	10,000	8" x 30"	1	25
CLG-3000	25,000	8" x 40"	1	50
CLG-4000	45,000	10" x 40"	2	75
CLG-5000	70,000	12" x 40"	2	100
CLG-6000	120,000	14" x 40"	2	150
CLG-7000	150,000	18" x 48"	3	185
CLG-8000	200,000	18" x 48"	3	235
CLG-9000	300,000	24" x 60"	3	300
CLG-10000	375,000	24" x 60"	4	360
CLG-11000	440,000	30" x 65"	4	425
CLG-12000	500,000	30" x 65"	6	500
CLG-13000	600,000	36" x 65"	6	600

Options such as FRP, stainless and steel tanks along with dual pumps and various control options are available upon request. Contact EasyWater or local rep for more information.

<sup>1</sup> Total volume of water in the closed loop

<sup>2</sup> Bag filters for all component models are 12"x40" stainless steel housings that hold 8"x30" bags for sediment and bacteria removal

<sup>3</sup> Model CLG-500 does not come with a pump and should be installed where a pot feeder is typically located on the suction and discharge side of the closed loop pumps.