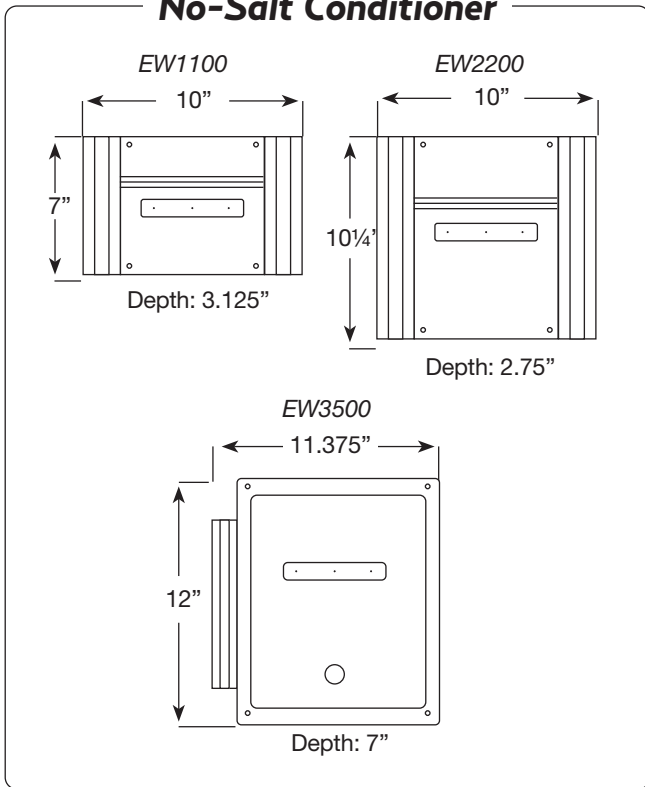
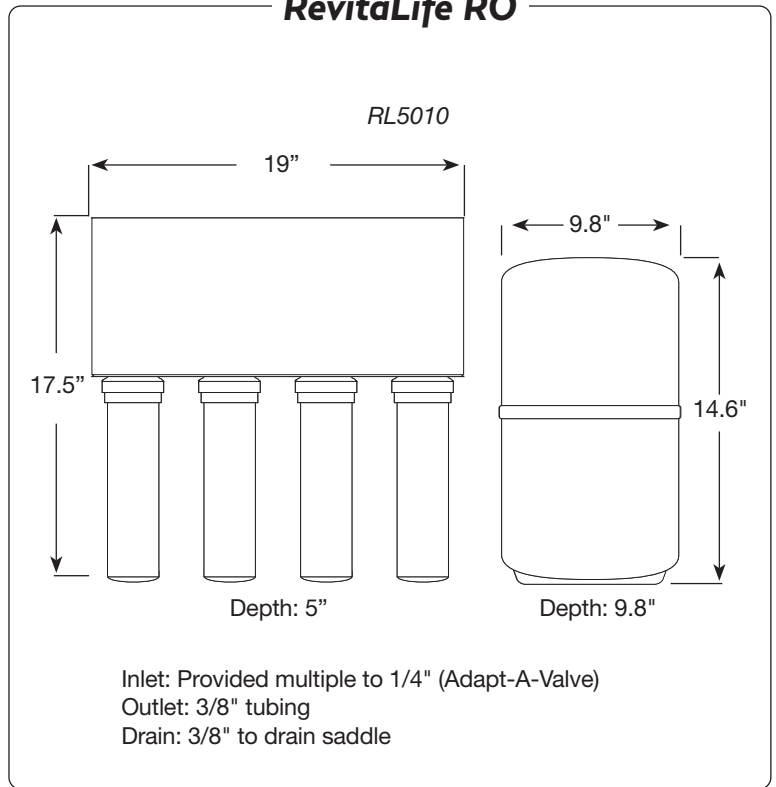


No-Salt Conditioner

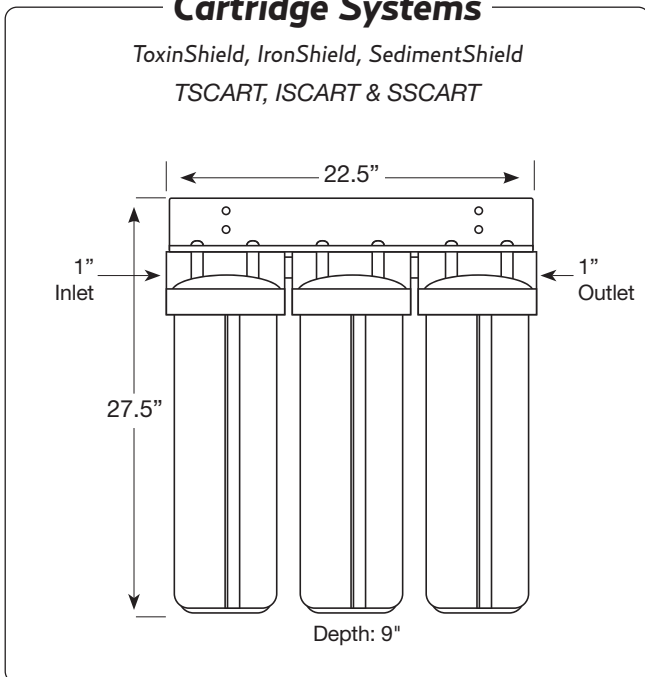


RevitaLife RO

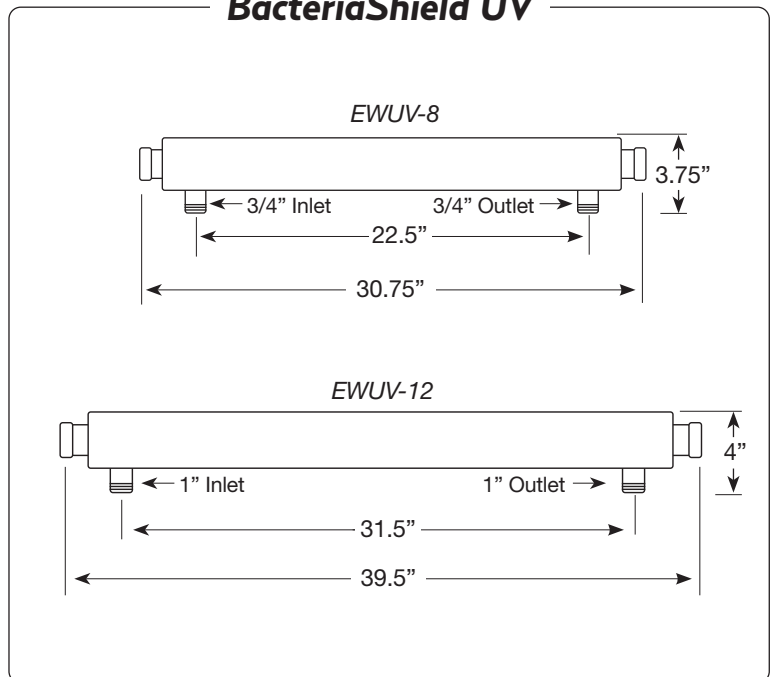


Cartridge Systems

ToxinShield, IronShield, SedimentShield
 TSCART, ISCART & SSCART

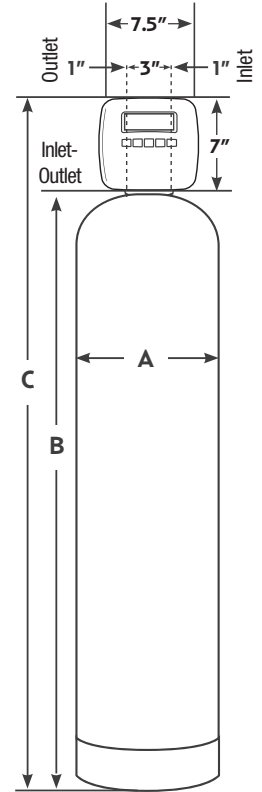


BacteriaShield UV

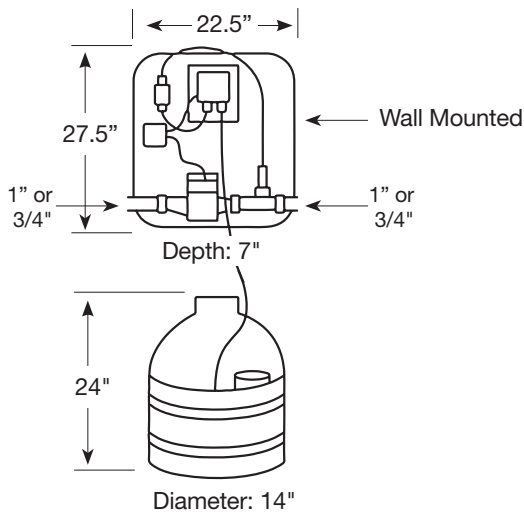


Tank-Style Systems (Valve & Tank)

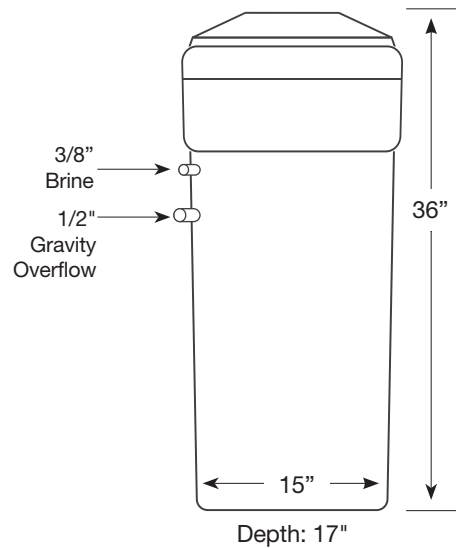
	AcidShield			IronShield GX7			IronShield Max			LeadShield			Nexus			SimplySoft			ToxinShield		
Models	10A, 10B, 10C			1000-3000			1000-3000			1000-3000			32k-80k			32k-80k			1000-3000		
Tank Diameter	10"	13"	16"	10"	13"	16"	10"	13"	16"	10"	13"	16"	9"	10"	13"	9"	10"	13"	10"	13"	16"
A	10"	13"	16"	10"	13"	16"	10"	13"	16"	10"	13"	16"	9"	10"	13"	9"	10"	13"	10"	13"	16"
B	54"	54"	65"	54"	54"	65"	54"	54"	65"	54"	54"	65"	48"	54"	54"	48"	54"	54"	54"	54"	65"
C	64.5"	64.5"	75.5"	64.5"	64.5"	75.5"	64.5"	64.5"	75.5"	64.5"	64.5"	75.5"	64.5"	64.5"	64.5"	64.5"	64.5"	64.5"	64.5"	64.5"	75.5"
Depth	16"	16"	17"	16"	16"	17"	16"	16"	17"	16"	16"	17"	16"	16"	16"	16"	16"	16"	16"	16"	17"
Drain	3/4"	1"	1"	3/4"	3/4" or 1"	1"	3/4"	3/4" or 1"	1"	3/4"	3/4" or 1"	1"	3/4"	3/4"	3/4" or 1"	3/4"	3/4"	3/4" or 1"	3/4"	3/4" or 1"	1"



Peroxide Injector



Brine Tank



*Additional configurations available.